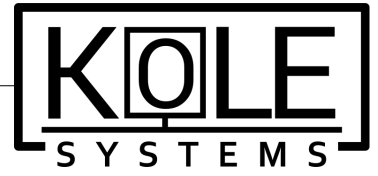


DISTRIBUTION BOXES

Metal electrical enclosures



MBOX 18 / 24 / 33

DISTRIBUTION BOXES

Metal electrical enclosures



Application area

The MP/MN distribution panels are applied in various industries, in energy distribution sector and also for residential, commercial and office centers.

They are used for switching, protection and power distribution circuit breakers installation.

Metal distribution boxes are designed for both built-in and on-wall applications.

Technical data:

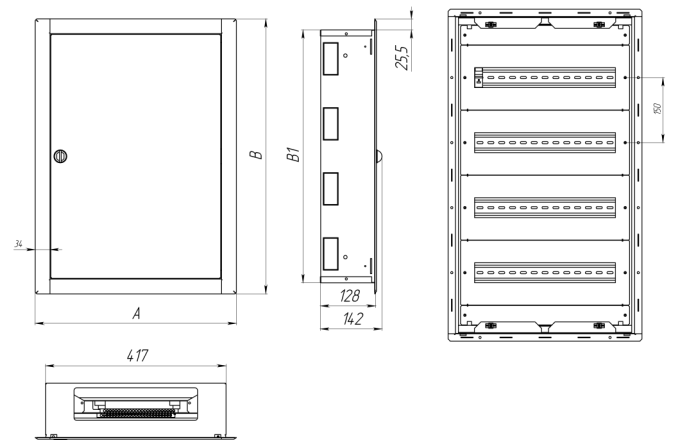
- Degree of protection: IP30
- Rated current: In: 125A
- Rated voltage: Un: 230/400V, 50Hz
- Rated insulation voltage: Ui: 500 V
- Protection against external mechanical impact: IK07
- Ambient temperature: -5°C - + 40°C
- Insulation class: I
- Material: steel 1 mm thick with protective coating
- Color: RAL9003
- MBOX18 - 18 modules per row
- MBOX24 - 24 modules per row



Series MP-18

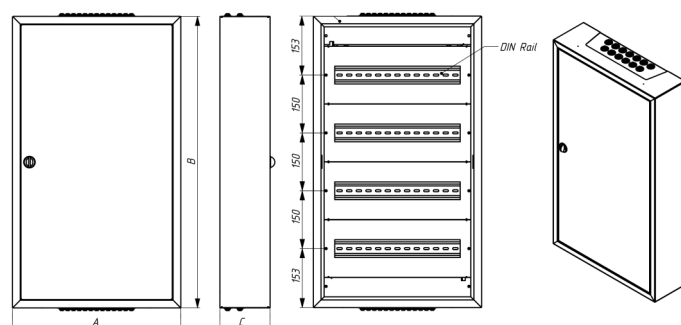
Internal boxes install 18 modules on a single DIN rail

Type	Weight	Modules	Dimensions (mm)		
			A	B	B1
MP 36 2/18	7	36	465	485	434
MP 54 3/18	9	54	465	635	584
MP 72 4/18	11	72	465	785	734
MP 90 5/18	13	90	465	935	884
MP 108 6/18	15	108	465	1085	1034
MP 126 7/18	17	126	465	1235	1184
MP 144 8/18	19	144	465	1385	1334



Series MN-18

On-wall boxes install 18 modules on one DIN rail



Type	Weight	Modules	Dimensions (mm)		
			A	B	C
MN 36 2/18	8	36	440	455	130
MN 54 3/18	9	54	440	605	130
MN 72 4/18	12	72	440	755	130
MN 90 5/18	13	90	440	905	130
MN 108 6/18	14	108	440	1055	130
MN 126 7/18	17	126	440	1205	130
MN 144 8/18	19	144	440	1355	130

DISTRIBUTION BOXES

Metal electrical enclosures



Design Description

MP/MN electrical panels are constructed entirely from sturdy metal and comprise the following components:

Bottom: Ensures the boxes remain stable and secure on the wall, preventing any twisting or turning.

Mounting frame: Enables the assembly of electrical components on an assembly table or any other suitable location.

Din rails and Busbar: Facilitate the installation and connection of all necessary devices.

Cover: Provides the protective enclosure for all installed electrical devices.

Door with a lock: Offers secure access to the contents of the box.

All our boxes are 1mm thick metal and each part is powder-coated for corrosion protection.

The doors are versatile and can be used on either the left or right side.

In addition, for flexibility, the cable entry is located both at the top and at the bottom.

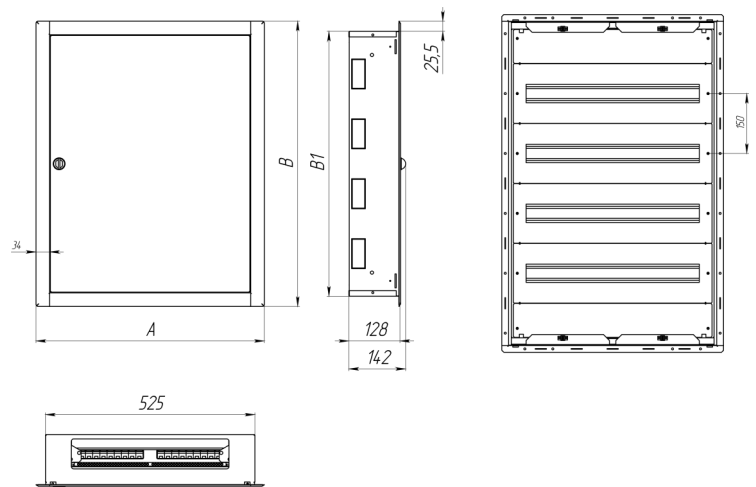
The door key is available as accessory.



Series MP-24

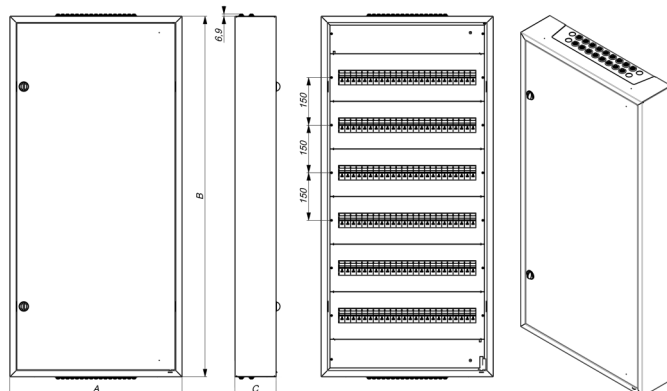
Internal boxes install 24 modules on one DIN rail

Type	Weight	Modules	Dimensions (mm)		
			A	B	B1
MP 72 3/24	15	72	573	715	664
MP 96 4/24	17	96	573	865	814
MP 120 5/24	18	120	573	1015	964
MP 144 6/24	19	144	573	1165	1114



Series MN-24

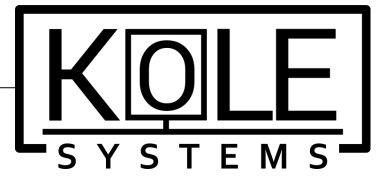
On-wall boxes install 24 modules on one DIN rail



Type	Weight	Modules	Dimensions (mm)		
			A	B	C
MN 72 3/24	15	72	544	686	130
MN 96 4/24	17	96	544	836	130
MN 120 5/24	18	120	544	986	130
MN 144 6/24	19	144	544	1136	130

DISTRIBUTION BOXES

Metal electrical enclosures



MBOX 33 Series

MP/MN are our biggest series of electrical electrical panels.

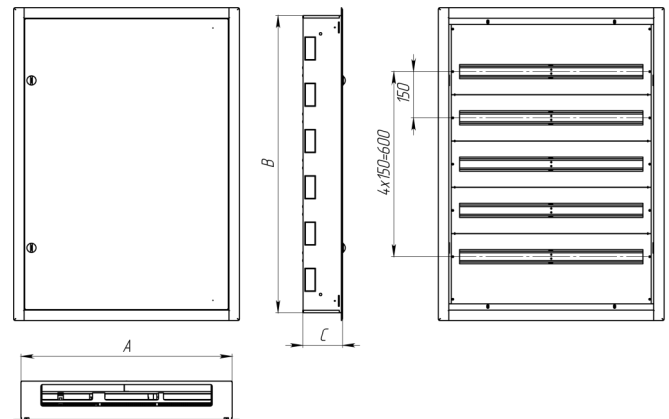
With 33 modules per row and capacity of 165 and 198 modules they are suitable for large-scale installations like smart house installations, office buildings, factory electrical installations, shopping malls.



Series MP-33

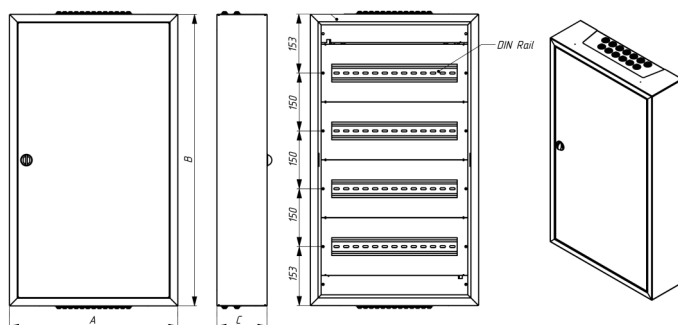
Internal boxes install 33 modules on a single DIN rail

Type	Weight	Modules	Dimensions (mm)		
			A	B	C
MP 165 5/33	21	165	687	963	129
MP 198 6/33	24	198	687	1113	129



Series MN-33

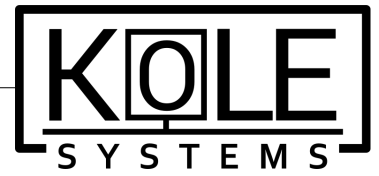
On-wall boxes install 33 modules on one DIN rail



Type	Weight	Modules	Dimensions (mm)		
			A	B	C
MN 165 5/33	20	165	710	983	130
MN 198 6/33	23	198	710	1133	130

DISTRIBUTION BOXES

Metal electrical enclosures



MPG 24 Series

MPG series is series designed to be used with plaster board walls and installations.

Height of the enclosures is 11 cm. Our solution will give installers still a lot of space below DIN rails for cable installation.

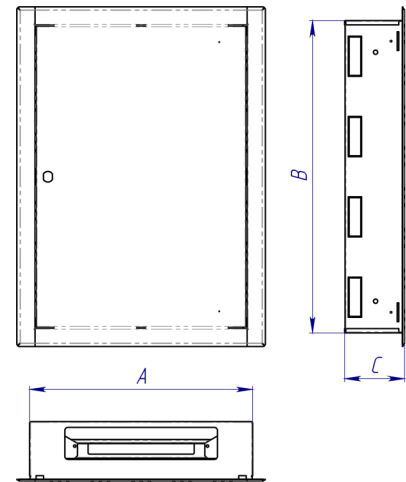
It has modified cable entrances to the enclosure, allowing installers to use Cable Pipes and it has all the great features of our MBOX series of products, like removable Din rail frame and possibility of left side-right side front door assembly.



Series MPG-18

Internal boxes install 18 modules on a single DIN rail

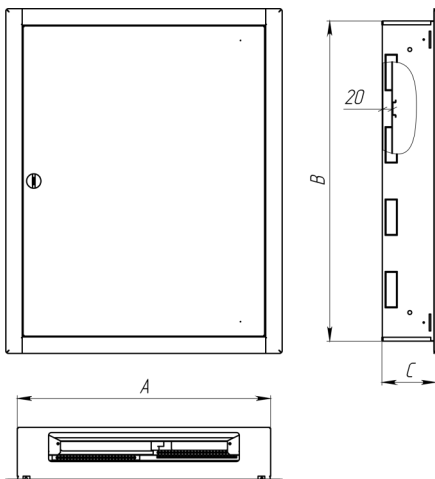
Type	Modules	Weight	Dimensions (mm)		
			A	B	C
MPG 36/2/18	36	7	417	433	112
MPG 54/3/18	54	9	417	583	112
MPG 72/4/18	72	10	417	733	112
MPG 90/5/18	90	12	417	883	112



Series MPG-24

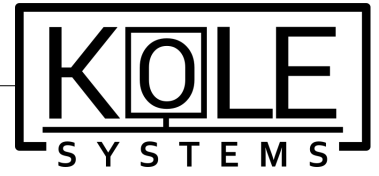
Internal boxes install 24 modules on a single DIN rail

Type	Modules	Weight	Dimensions (mm)		
			A	B	C
MPG 48/2/24	48	9	525	513	112
MPG 72/3/24	72	11	525	663	112
MPG 96/4/24	96	13	525	813	112
MPG 120/4/24	120	15	525	963	112



DISTRIBUTION BOXES

Metal electrical enclosures



Contact

info@kole-systems.com

www.kole-systems.com

